

SK-Series

Kitchen Balance



Standard features:

Up to 1/6,000 internal resolution, fast response and good stable

With g/lb/oz unit conversion (others is selectable)

Simple counting function, Tare within full capacity

Dual-use AC/DC power supply, 4pcs AA dry battery or 220v Adapter

Large LCD display, (green and white back light)

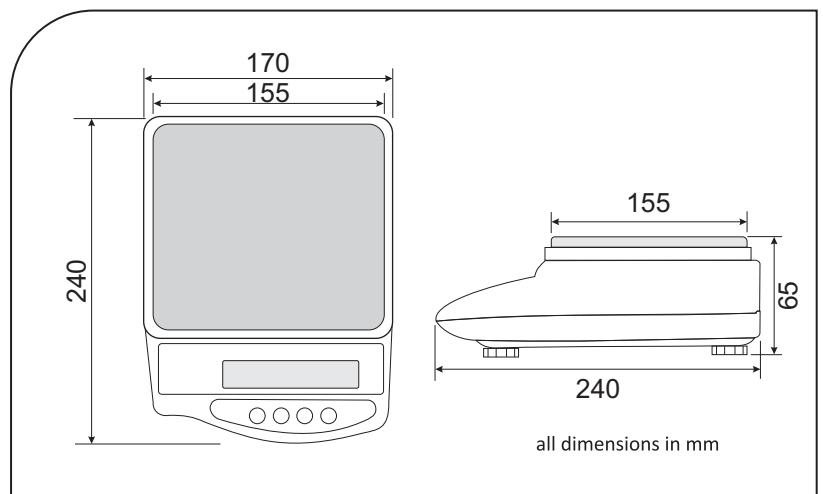
Pan size: 155x155mm

Accessory:

Manual

Adapter,

Stainless Steel Top pan



Model	Capacity	Readability	Pan Size
SK-1000	1000 gm	0.5 gm	155 x 155mm
SK-3000	3000 gm	1 gm	

Reliable and Rugged! 