

LUT Load Cell

Single Point Load Cell

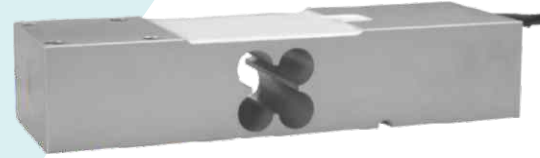
Protection Class Ip67

Aluminum Construction

Capacity: 100kg, 150kg, 200kg & 300kggf.

Mode of Connection

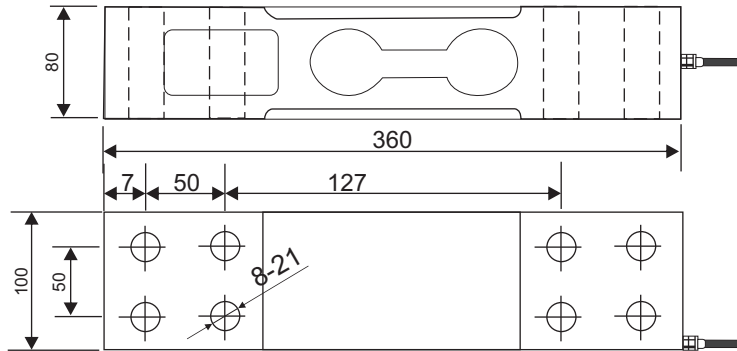
Input+: Red
Input-: Black
Output+: Green
Output-: White



Input Impedance: $410 \pm 10\Omega$

Output Impedance: $350 \pm 10\Omega$

Dimensions



Specifications:

Rated Output (mV/V)	2.0 ± 0.001 mV/V
Total Error	0.02 % F.S
Recommended Excitation Voltage	5V ~ 12V DC
Maximum Excitation Voltage	15V DC
Non-linearity	0.02 F.S
Hysteresis	0.02 %F.S
Non-repeatability	0.01% F.S
Creep	0.02 %FS/30min
Zero Balance	2 % F.S
Operating Temp Range	-20°C ~ +65° C
Compensated Temp Range	-10°C ~ +40°C
Temp Effect on Load	0.02 % F.S
Temp Effect on Zero	0.02 % F.S

Reliable and Rugged! 