

# LSS Load Cell

## Single Point Load Cell

Protection Class Ip67

Aluminum Construction

Capacity: 6kg,10g,20kg,30kg,50kg.

### Mode of Connection

Input+: Red  
Input-: Black  
Output+: Green  
Output-: White



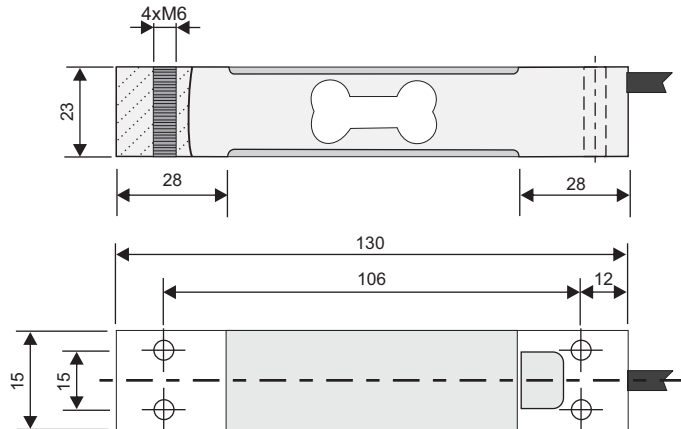
Input Impedance:  $410 \pm 10\Omega$

Output Impedance:  $350 \pm 10\Omega$

### Specifications:

Rated Output (mv/v)	$2.0 \pm 0.2$
Total Error	0.02 % F.S
Non-linearity	0.02 F.S
Hysteresis	0.02 %F.S
Non-repeatability	0.01% F.S
Creep	0.02 %FS/30min
Zero Balance	2 % F.S
Operating Temp Range	$-20^{\circ}\text{C} \sim +65^{\circ}\text{C}$
Compensated Temp Range	$-10^{\circ}\text{C} \sim +40^{\circ}\text{C}$
Temperature Effect on Load	0.02 % F.S
Temperature Effect on Zero	0.02 % F.S

### Dimensions



Reliable and Rugged! 