

LS Load Cell

Mode of Connection

Input+: Red
 Input-: Black
 Output+: Green
 Output-: White

Input Impedance: $410 \pm 10\Omega$
 Output Impedance: $350 \pm 10\Omega$

Single Point Load Cell

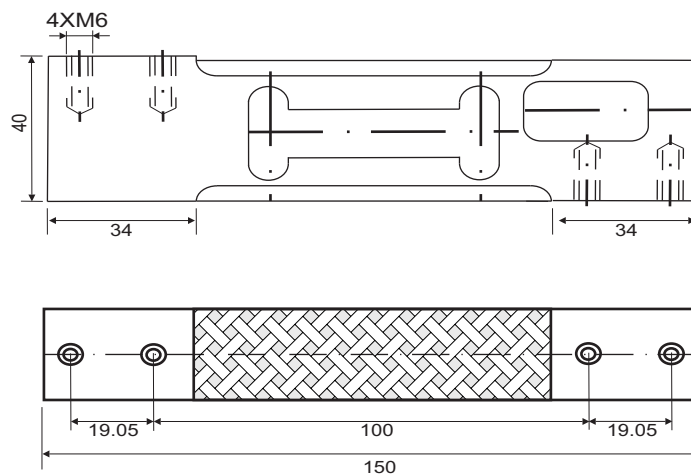
Protection Class Ip67
 Aluminum Construction
 Capacity: 3kg, 5kg, 7kg, 10kg, 15kg,
 20kg, 30kg, 50kg, 75kg.



Specifications:

Rated Output (mv/v)	2.0 ± 0.2
Total Error	0.02 % F.S
Non-linearity	0.02 F.S
Hysteresis	0.02 %F.S
Non-repeatability	0.01% F.S
Creep	0.02 %FS/30min
Zero Balance	2 % F.S
Operating Temp Range	$^{\circ} -20\text{ C } +65\text{ C}$
Compensated Temp Range	$^{\circ} -10\text{ C } \sim +40\text{ C}$
Temperature Effect on Load	0.02 % F.S
Temperature Effect on Zero	0.02 % F.S

Dimintions



Reliable and Rugged! 