

# LF Load Cell

## Miniature Compression Load Cell

Ideally suited for Mini weighbridge & Tank, hopper weighing  
Protection Class Ip67  
Tool Steel Construction  
Capacity 2t, 2t, 10 & 20t

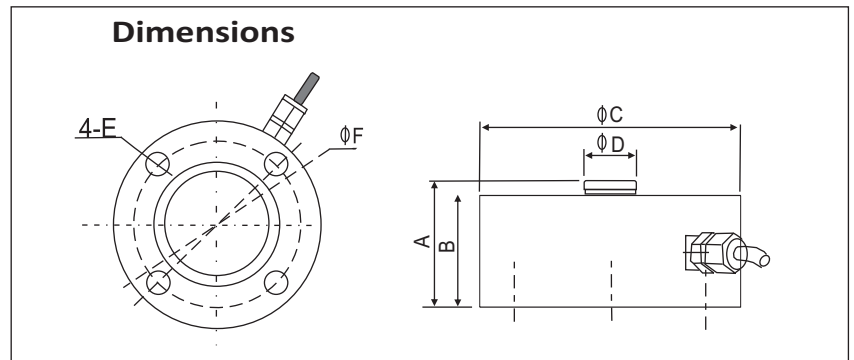
### Mode of Connection

Input+: Red  
Input-: White  
Output+: Green  
Output-: Black

Input Impedance:  $775 \pm 2\Omega$   
Output Impedance:  $700 \pm 5\Omega$



Capacity (t)	A	B	∅C	∅D	E	F
2 t	25	21	50	20	M5 dp 7	42
5 t	50	35	98	25	M6 dp 8	72
10 t	50	35	98	25	M6 dp 8	72
20 t	60	45	120	30	M8 dp 10	92



### Specifications:

Rated Output (mv/v)	$2.0 \pm 0.2$
Creep	0.02 %FS/30min
Total Error	0.01 % F.S
Recommended Excitation	5V~15v (AC or DC)
Non-repeatability	0.01% F.S
Zero Balance	1 % F.S
Insulation Impedance	5000 MΩ
Operating Temp Range	- 30° C ~ +70 C
Compensated Temp Range	- 20° C ~ +60° C
Temp Effect on Load	0.02 % F.S
Temp Effect on Zero	0.02 % F.S

Reliable and Rugged! 