

LC Load Cell

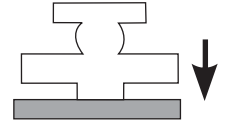
Mode of Connection

Input+: Red
 Input-: White
 Output+: Green
 Output-: Black

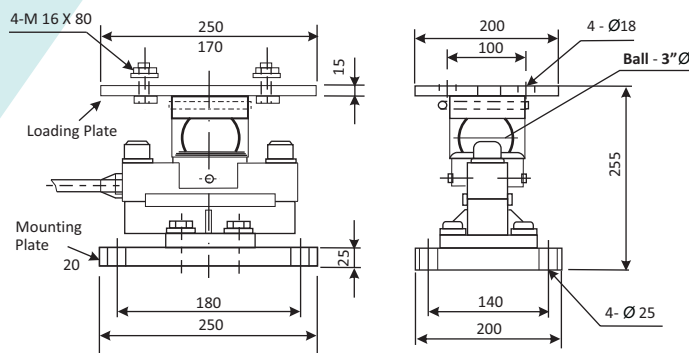
Input Impedance: $700 \pm 2\Omega$
 Output Impedance: $710 \pm 5\Omega$

Double-Enden Shear Beam Load Cell

Ideally suited for weighbridge & Tank weighing
 Protection Class Ip67 & Ip68
 Tool Steel Construction
 Capacity 20t, 25t & 30t



Dimensions:



Specifications:

Rated Capacity (tons)	20, 25 & 30tons
Rated Output	$2.0 \pm 0.001\text{mv/V}$
Total Error	0.02 % F.S
Rec Excitation Voltage	5V ~18 V(DC)
Max Excitation Voltage	24V (DC)
Non-repeatability	0.01 % F.S
Creep	0.02 % F.S / 30 min
Zero Balance	$\pm 1\%$ F.S
Operating Temperature Range	$-20^{\circ}\sim+65^{\circ}\text{C}$
Compensated Temp Range	$-10^{\circ}\sim+40^{\circ}\text{C}$
Temperature Effect on Load	0.02 % F.S
Temperature Effect on Zero	0.02 % F.S
Construction	Alloy Steel Painted
Cable Length	$\varnothing 7 \pm 0.3$ mm, 4core, 12meter

Reliable and Rugged! 