

D-850

Weighing Indicator

The D-850 indicator housed in a durable mild steel enclosure. It is equipped with a large easy to read 6 digits 0.8" LED or LCD display.



Technical Data:

Hi resolution Weighing Indicator.
Adjustable Parameters setting.
0.8" Red LED display.
weight unit Kg, lb.
Hi, Lo Ok.
Gross & Net weighing.
Peak hold or data hold function
Display up to 10,000 graduations
Drives up to four 350 Ω load cells
Operates on AC Adapter or Rechargeable battery
Automatic Power off
Low-battery indication.

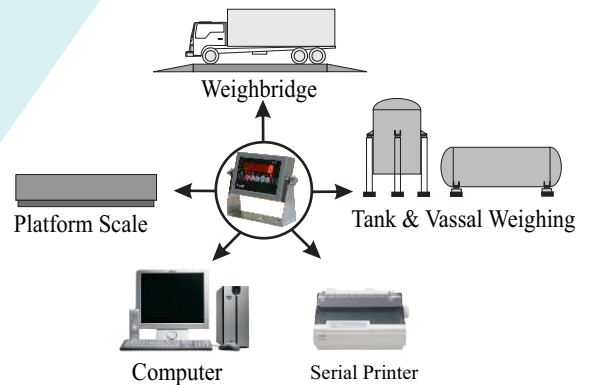
Capable of powering up to four 350 Ω load cells, this simple device can handle a multitude of functions. A full duplex RS-232 port can transmit data on demand or continuously to match the input requirement of a wide variety of devices including printers. Remote displays and computers.

Economical Truck scale Indicator!

D-850

Weighing Indicator

Interface:



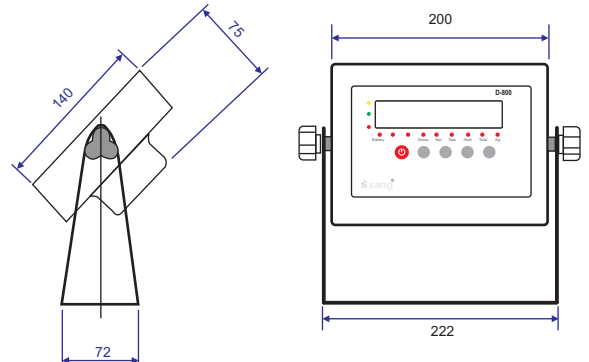
Features:

- Hi resolution Weighing Indicator.
- Mild steel Enclosure powder coated.
- Up to 1/10,000 display resolution.
- 6 digits 0.8" LED/LCD display.
- Low power and overload indication.
- desktop bracket
- Full Duplex RS-232
- Drives up to four 350Ω load cells
- Operates on 220 VA.C 50Hz or Rechargeable battery
- Kg/lb conversion and selectable decimal point position
- Printing function with date/time & weight
- Customized size with your specific request
- Weight Backup function.

Specifications:

Input sensitivity:	0.1μV//d(Min)
Input single range:	19.5~19.5mv
Load cell excitation:	3.3VDC 50mA
Stabilization time:	1 second typical
Operating temperature:	0° c ~ 50° c / 32° F~ 122° F
Non-linearity:	0.01% of F.S
A/D resolution:	500,000 counts (Max)
keys:	"on/off", "Total", "Tare", "Zero", "Set"
Maximum Display:	999999
Minimum Division:	1 X 2 X 5 X 10 X 20 X 50.
Under zero Indication:	"-" minus display
Display Indications :	Hi, Ok, Lo, Battery Charging, Zero, Stable, Auto, Net, Gross, Hold, Total, unit
Battery:	6VDC/4.6 Ah
Power:	250VAC 50Hz

Physical Dimension



Reliable and Rugged! 