

# D-800

## Series Weighing Indicator

*The D-800 indicator housed in a durable mild steel enclosure. It is equipped with a large easy to read 6 digits 0.8" LED or LCD display.*



### Technical Data:

Hi resolution Weighing Indicator.  
Adjustable Parameters setting.  
LED and LCD display.  
weight unit Kg, lb.  
HI, Lo Ok.  
Gross & Net weighing.  
Peak hold or data hold function  
Display up to 10,000 graduations  
Drives up to four 350Ω load cells  
Operates on AC Adapter or Rechargeable battery  
Automatic Power off  
Low-battery indication.

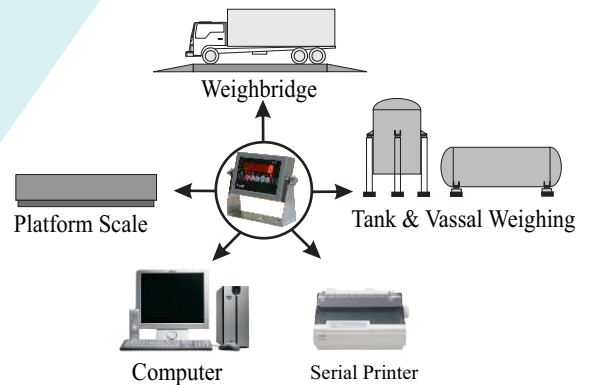
*Capable of powering up to four 350Ω load cells, this simple device can handle a multitude of functions. A full duplex RS-232 port can transmit data on demand or continuously to match the input requirement of a wide variety of devices including printers. Remote displays and computers.*

**Economical Truck scale Indicator!**

# D-800

## Series Weighing Indicator

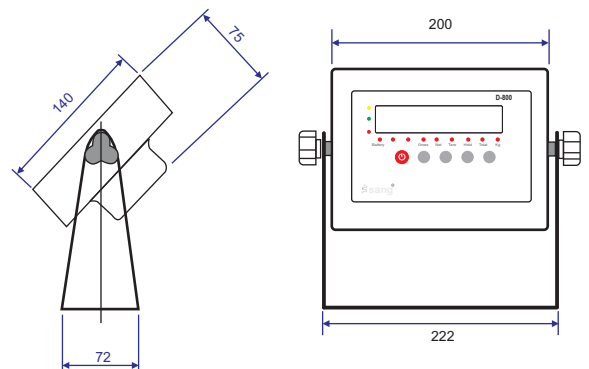
### Interface:



### Features:

- Hi resolution Weighing Indicator.
- Mild steel Enclosure powder coated.
- Up to 1/10,000 display resolution.
- 6 digits 0.8" LED/LCD display.
- Low power and overload indication.
- desktop bracket
- Full Duplex RS-232
- Drives up to four 350Ω load cells
- Operates on AC Adapter or Rechargeable battery
- Kg/lb conversion and selectable decimal point position
- Printing function with date/time & weight
- Customized size with your specific request
- Weight Backup function.

### Physical Dimension



### Specifications:

Input sensitivity:	0.1μV//d(Min)
Input single range:	19.5~19.5mv
Load cell excitation:	3.3VDC 50mA
Stabilization time:	1 second typical
Operating temperature:	0° c ~ 50° c / 32° F ~ 122° F
Non-linearity:	0.01% of F.S
A/D resolution:	500,000 counts (Max)
keys:	"on/off", "Total", "Tare", "Zero", "Set"
Maximum Display:	999999
Minimum Division:	1 X 2 X 5 X 10 X 20 X 50.
Under zero Indication:	"-" minus display
Display Indications :	Hi, Ok, Lo, Battery Charging, Zero, Stable, Auto, Net, Gross, Hold, Total, unit
Battery:	6VDC/4.6 Ah
Power:	Adopter input 100~250VAC, Output 9V DC 1.2A

Reliable and Rugged! 